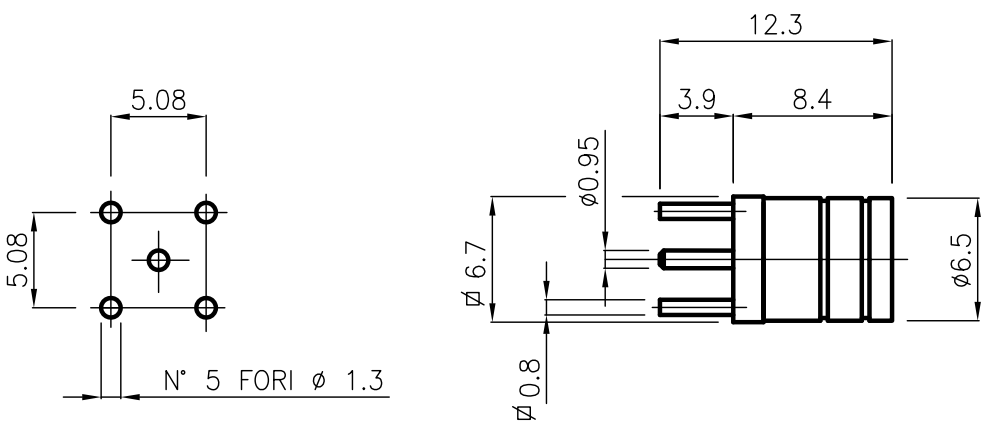


DIST.

A TERMINI DI LEGGE E' VIETATA LA RIPRODUZIONE O LA NOTIFICAZIONE DI QUESTO DISEGNO A TERZI SENZA AUTORIZZAZIONE



MOUNTING HOLE

SPECIFICATIONS

Mating and dimensions as per CECC 22130

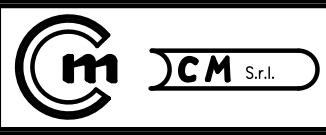
ELECTRICAL SPECIFICATIONS

Frequency range:	up to 4 GHz
VSWR:	1.03 + 0.03 f
RF Leakage:	≥55 dB (misured at 1 GHz)
Insertion loss:	<0.14 dB
Isolation resistance:	> 1 GOhm
Centre contact resistance:	< 5 mOhm
Outer contact resistance:	< 2,5 mOhm

MATERIALS AND FINISH

Body	Brass	Au
Centre contact	Beryllium-copper	Au
Outer contact	Brass	Au
Insulator	PTFE	

			DENOMINAZIONE		
			SERIES SMS COAXIAL CONNECTOR STRAIGHT PCB PLUG – 50 Ohm		
SCALA		//	CONTR. CUCCHI I.		DATA 25.08.04
FILE		GSD02002C	APPROV. CUCCHI M.		DIS. CUCCHI I.
REV.	N° MOD.	DATA			
/	EMESSO	25.08.04			



N° CODICE  
**GSD.02.002**