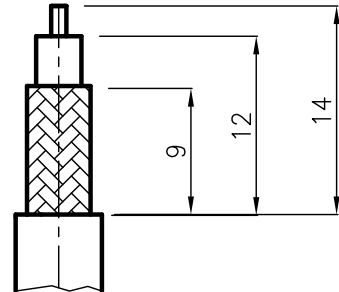
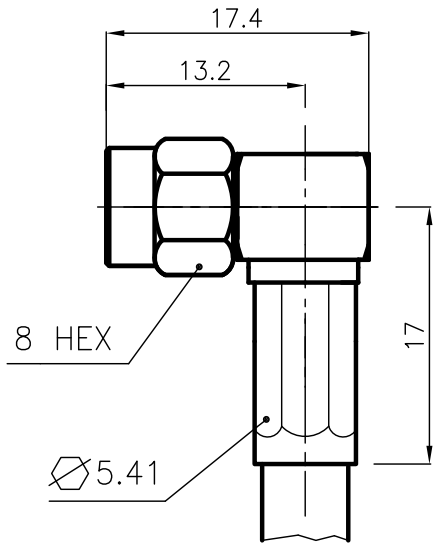


DIST.

A TERMINI DI LEGGE E' VIETATA LA RIPRODUZIONE O LA NOTIFICAZIONE DI QUESTO DISEGNO A TERZI SENZA AUTORIZZAZIONE



SPECIFICATIONS

Mating and dimensions as per CECC 22110

MATERIALS AND FINISH

P.N. SUFFIX	LOCKNUT AND COUPLING PARTS	PLUG INNER CONTACT	OTHER PARTS	CRIMPING FERRULE
<b>005</b>	Brass Au	Brass Au	Brass Au	Soft Copper Au
<b>205</b>	Stainless steel Passivated	Brass Au	Brass White Bronze	Soft Copper Ni 3μ
<b>305</b>	Stainless steel Au	Brass Au	Brass Au	Soft Copper Au
<b>505</b>	Brass White Bronze	Brass Au	Brass White Bronze	Soft Copper Ni

CAPTIVATED CONTACT

FOR CABLES: RG 58../U, CAVO-195-FR

			DENOMINAZIONE 50 Ohm - SMA SERIES COAXIAL CONNECTOR RIGHT-ANGLE PLUG SOLDER CRIMP ATTACHMENT		
			SCALA 2:1	CONTR.	DATA 28.07.95
REV.	N° MOD.	DATA	FILE DSG61X5C	APPROV. A.Q.	DIS.
/	EMESSO	02.07.01			



N° CODICE  
**DSG.61.XX5**

MOD. 101